

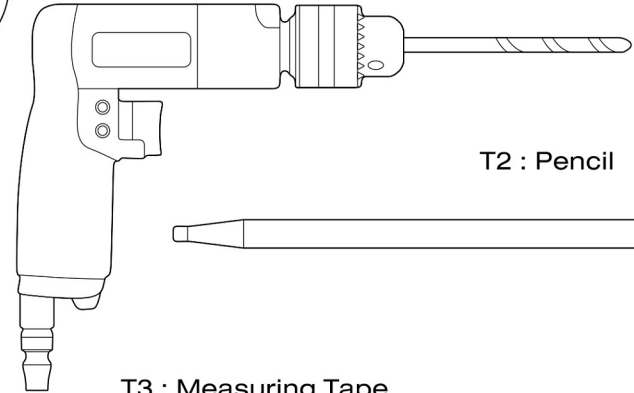
Installation Manual

Version # 1.2

For Toyota Hilux Revo J-deck

REQUIRED
TOOLS

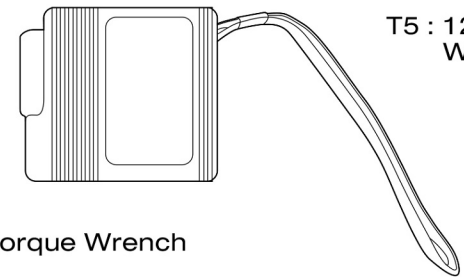
T1 : 10 mm. Impact Drill



T2 : Pencil

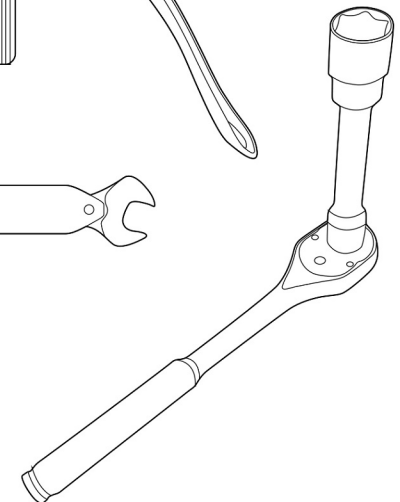
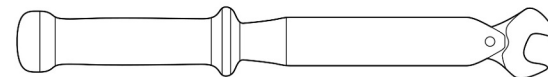


T3 : Measuring Tape



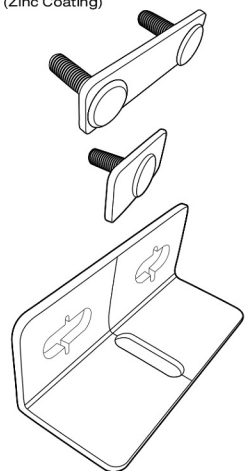
T5 : 12 mm. Socket
Wrench

T4 : 12 mm. Torque Wrench



Brackets
and
Rubber
Pads.

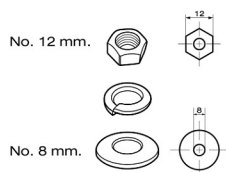
Steel (Zinc Coating)



A : 4 pieces

B : 4 pieces

C : 4 pieces

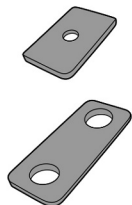


D : 12 pieces

E : 12 pieces

F : 12 pieces

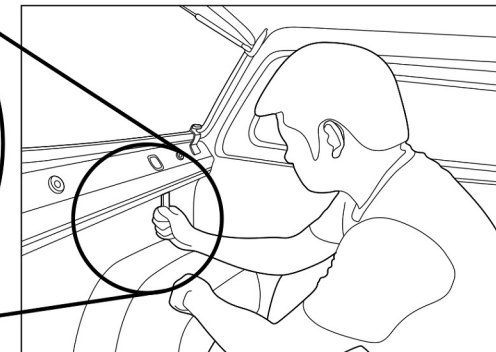
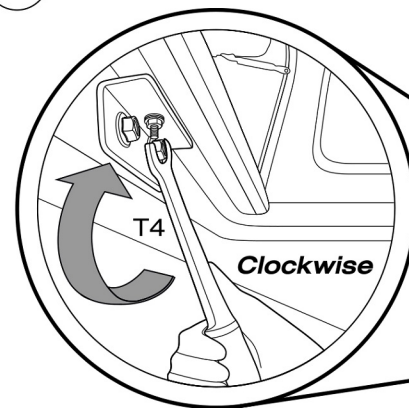
Rubber (EPDM)



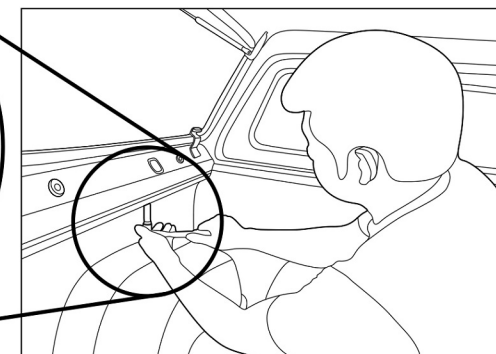
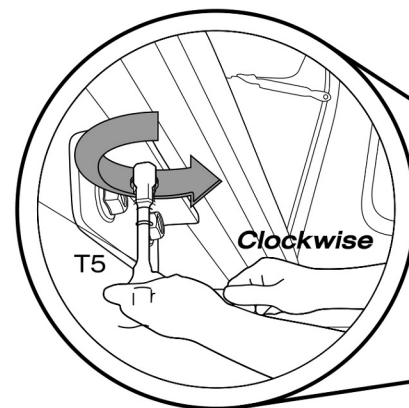
G : 4 pieces

H : 8 pieces

9

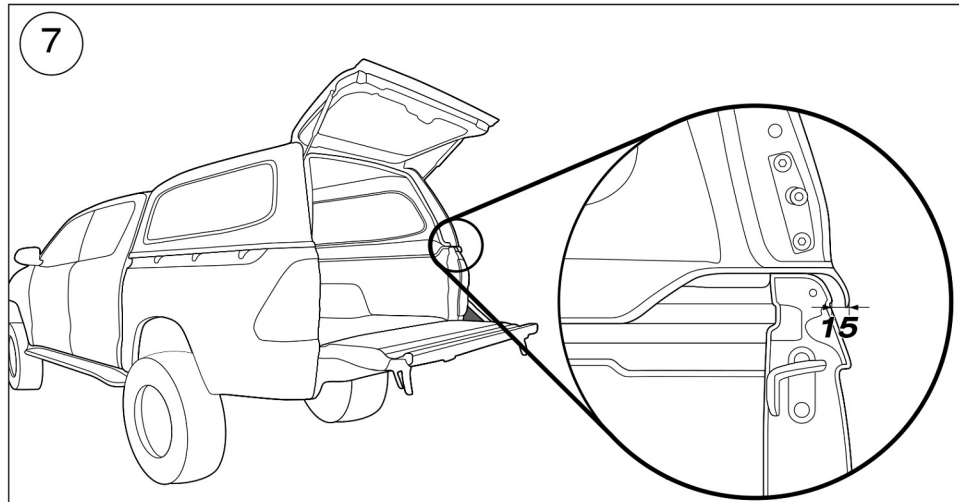


Torque Wrench Tightening To 18–20 Nm

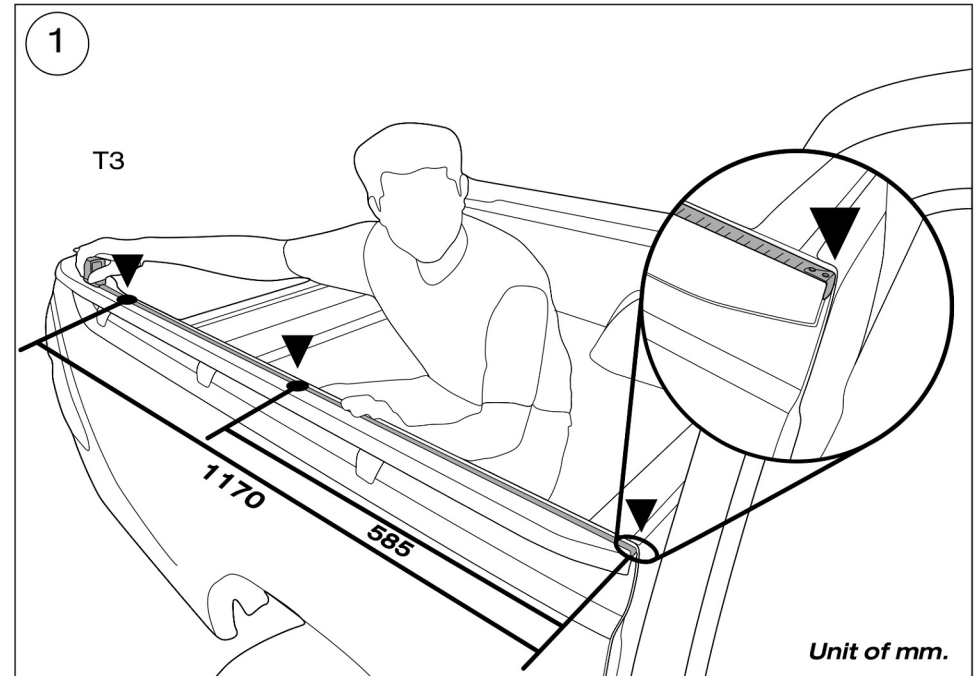
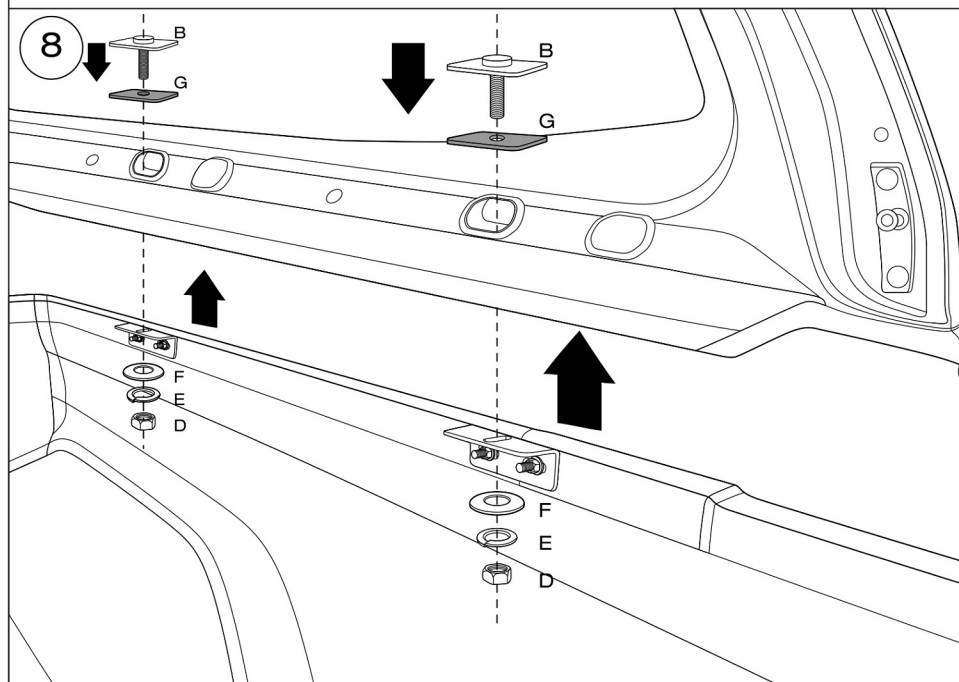


Torque Wrench Tightening To 14–16 Nm

Note: Over tightening could lead to stressing of structure, leading to potential damage to the canopy. Do not over tighten.



Unit of mm.



Unit of mm.

